

PREMIER ONE PIECE SHUTTERS

Raised Panel



Configuration:

Single Wide, divided in center by Center Mullion
Two equal Raised Panel sections

Measurements:

Width: See specification drawings

Lengths: See specification drawings

Top Rail: 3"

Center Rail: 3"

Bottom Rail: 4"

2-Side Rails: 2"

Depth: 7/8"

Available Colors:

#001 White

#002 Black

#004 Bedford Blue

#007 Dark Gray

#025 Sienna Brown

#049 Paintable

#260 Burgundy

#331 Heritage Green

Other colors available in quantity

Note: #049 Paintable: Must be painted

Note: Colored Shutters: Will not accept paint, thus cannot be painted

PREMIER ONE PIECE SHUTTERS

Specification Information

(Louver and Raised Panel)

Shutter Material

- **Colored Shutters:**
 - Polypropylene Compound
 - UV Additives
- **Paintable Shutters:**
 - Polystyrene

Manufacturing Process

- **Injection Molded**

Styles Available

- **Louver: Open Louver Cathedral Top, Center Mullion**
- **Raised Panel: Center Mullion**

Sizes

- **Widths:**
 - **Nominal: Louvered 15", Raised Panel 15"**
 - **Actual: Same, both styles**
 - **Lengths:**
 - **Nominal: 35", 39", 43", 47", 51", 55", 59", 63", 67" and 71"**
 - **Actual: Same, all sizes and both styles**
- Note: Width and Length of #049 Paintable are slightly larger**

Colors

- **001-White, 002-Black, 004-Bedford Blue, 007-Dark Gray, 025-Sienna Brown, 049-Paintable, 260-Burgundy, 331-Heritage Green**
 - **Other colors available in quantity**

Note: Paintable Shutters must be painted

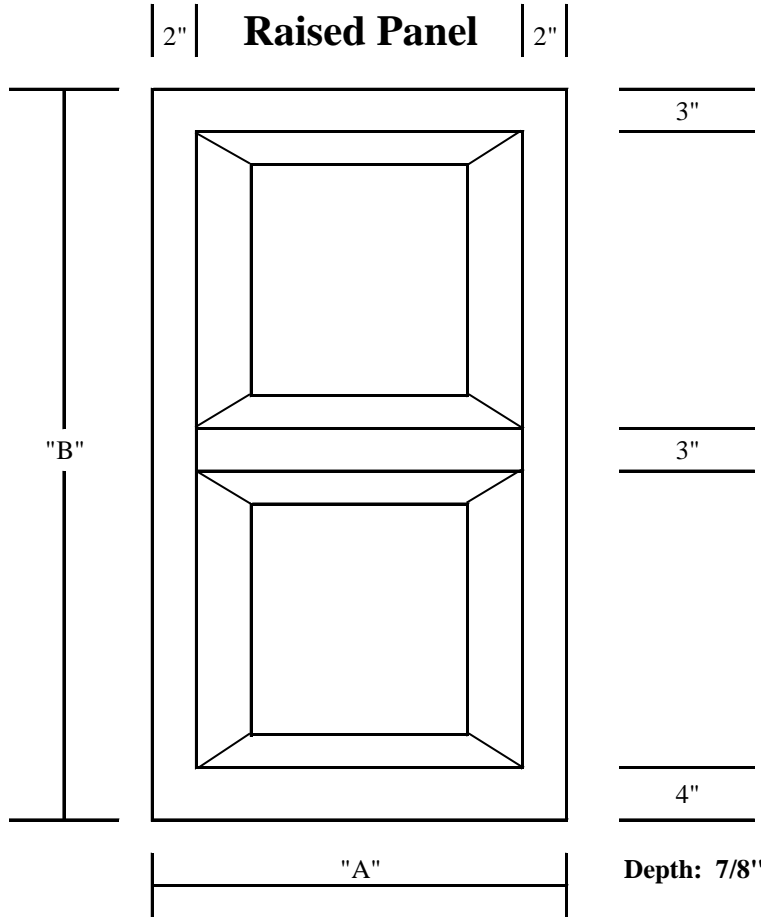
Note: Colored Shutters will not accept paint, and cannot be painted

Method of Attachment

- **Each pair of shutter comes with color matched installation spikes, made of nylon.**

PREMIER ONE PIECE SHUTTERS

Raised Panel



A. Widths Available:

Nominal: 15"

Actual: 15"

Note: #049 Paintable Shutters are slightly larger

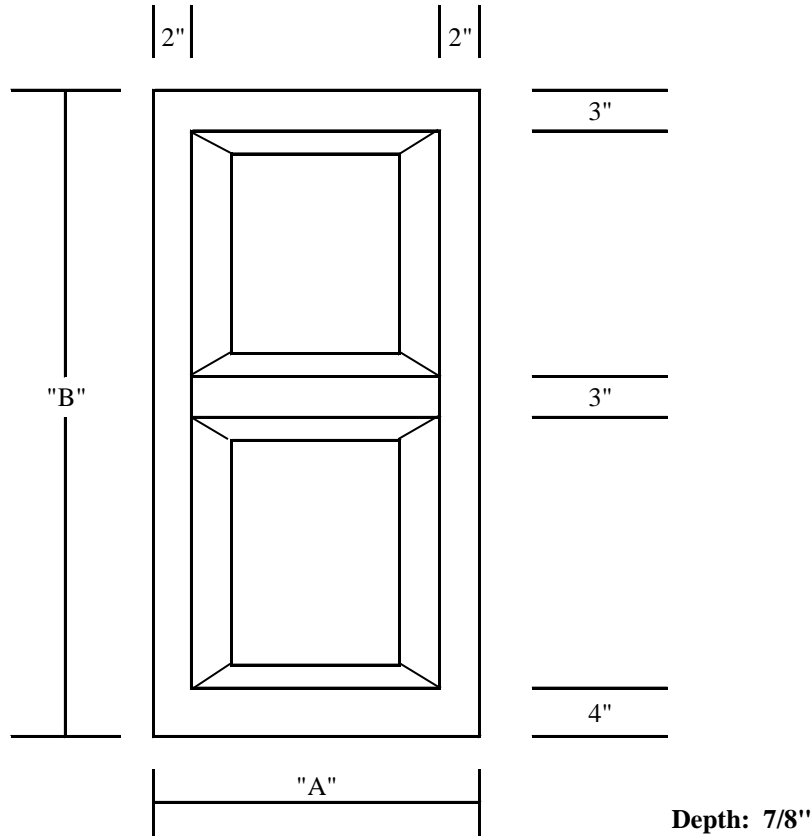
B. Lengths Available:

Nominal	Actual
35"	35"
39"	39"
43"	43"
47"	47"
51"	51"
55"	55"
59"	59"
63"	63"
67"	67"
71"	71"

Note: #049 Paintable Shutters are slightly larger

PREMIER ONE PIECE SHUTTERS

Raised Panel



Depth: 7/8"

A. Nominal and Actual Width: 15" _____ Other: _____

B. Nominal and Actual Length:

35" _____ 39" _____ 43" _____ 47" _____
 51" _____ 55" _____ 59" _____ 63" _____
 67" _____ 71" _____

note: #049 Paintable Lengths and Widths are slightly larger

Color:

001 White _____ 002 Black _____ 004 Bedford Blue _____
 007 Dark Gray _____ 025 Sienna Brown _____ 049 Paintable _____
 260 Burgundy _____ 331 Heritage Green _____ Other _____

PRINTDATE062014

B4-1